

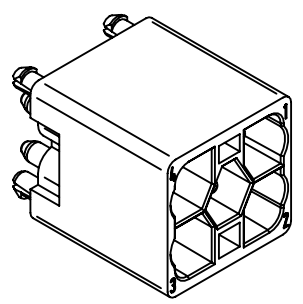
09 35 002 0303
 09 35 002 0323
 contour for integration
 (moulded-in) ask for
 TB 09 35 002 0300

bulkhead housing

seal

1 related to jack
 2 related to PCB

further information see product data sheet



	All Dimensions in mm Original Size DIN A4		Scale 2:1	Free size tol.		Ref.
	All rights reserved		Created by ZWAHR	Inspected by ELLERMANN	Standardisation 302077	Sub.
Department EL PD		Title Han PushPull Power 4/0 M-L (straight)		Date 2021-03-26	State Final Release	
HARTING D-32339 Espelkamp		Type TB	Number 09350023004		Doc-Key / ECM-Nr. 100184.051/UGD/001/D 500000191911	Rev. D
						Page 1/1